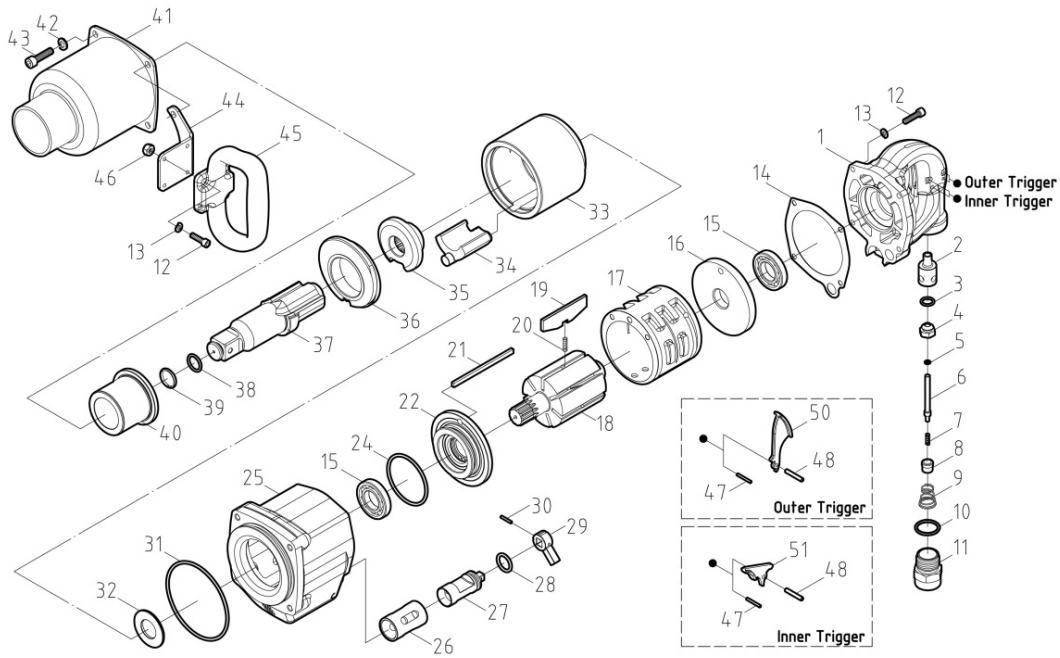


ZIW1075 1" IMPACT WRENCH



ZIW1075 1" IMPACT WRENCH

TECHNICAL DATA

Square Drive	inch(mm)	1"(25)
Free Speed	R.P.M.	3500
Max. Torque(15 secs)	ft-lb(NM)	2500(3389)
Working torque(5 secs)	ft-lb(NM)	2300(3118)
Avg. Air Cons.	cfm(l/min)	12(339)
Net Weight	lbs(kgs)	31.7(14.4)
Air Inlet Size	inch-NPT/PT	1/2"
Impact mechanism		Pin Less

PARTS LIST

Index	Part #	Description	Index	Part #	Description
1	ZIW1075-1	Handle body	30	ZIW1075-30	Spring Pin
2	ZIW1075-2	Reverse Valve	31	ZIW1075-31	O-Ring
3	ZIW1075-3	O-Ring	32	ZIW1075-32	Anvil Rear Spacer
4	ZIW1075-4	Reverse Valve	33	ZIW1075-33	Hammer Cage
5	ZIW1075-5	O-Ring	34	ZIW1075-34	Hammer
6	ZIW1075-6	Pin Valve Rod	35	ZIW1075-35	Hammer Cam
7	ZIW1075-7	Spring	36	ZIW1075-36	Anvil Front Spacer
8	ZIW1075-8	Reverse Valve	37	ZIW1075-37	Anvil
9	ZIW1075-9	Cone Spring	38	ZIW1075-38	O-Ring
10	ZIW1075-10	O-Ring	39	ZIW1075-39	Anvil Collar
11	ZIW1075-11	Air Inlet (1/2"-14NPT)	40	ZIW1075-40	Bushing
		Air Inlet (1/2"-14PT)	41	ZIW1075-41	Front Casing
12	ZIW1075-12	Screw(8)	42	ZIW1075-42	Spring Washer(4)
13	ZIW1075-13	Spring Washer(8)	43	ZIW1075-43	Screw(4)
14	ZIW1075-14	Packing	44	ZIW1075-44	Bolt Holder
15	ZIW1075-15	Ball Bearing(2)	45	ZIW1075-45	Handle
16	ZIW1075-16	Rear Plate	46	ZIW1075-46	Lock Nut(4)
17	ZIW1075-17	Cylinder			
18	ZIW1075-18	Rotor			
19	ZIW1075-19	Blade(7)	47	ZIW1075-47	Spring Pin
20	ZIW1075-20	Spring(7)	48	ZIW1075-48	Spring Pin
21	ZIW1075-21	Key	50	ZIW1075-50	Trigger
22	ZIW1075-22	Front Plate			
24	ZIW1075-24	O-Ring			
25	ZIW1075-25	Housing	47	ZIW1075-47	Spring Pin
26	ZIW1075-26	Valve Bushing	48	ZIW1075-48	Spring Pin
27	ZIW1075-27	Reverse Valve	51	ZIW1075-51	Trigger
28	ZIW1075-28	O-Ring			
29	ZIW1075-29	Reverse Lever			